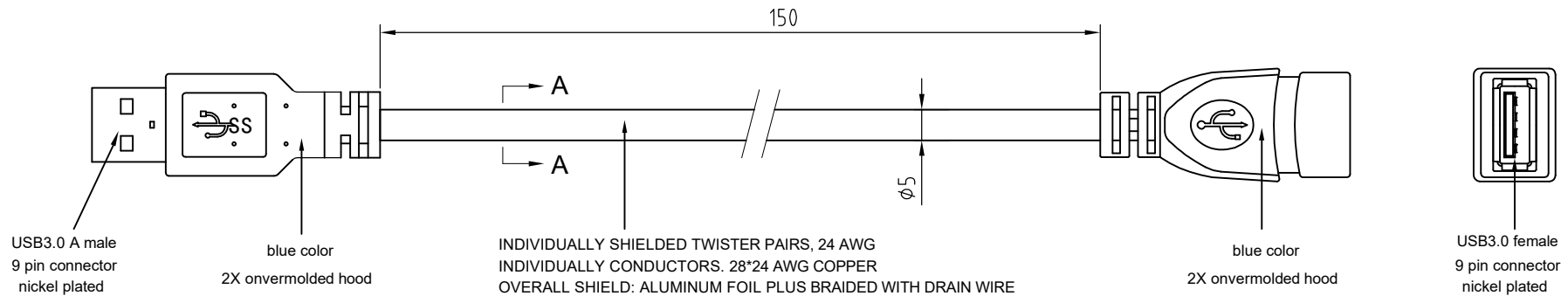
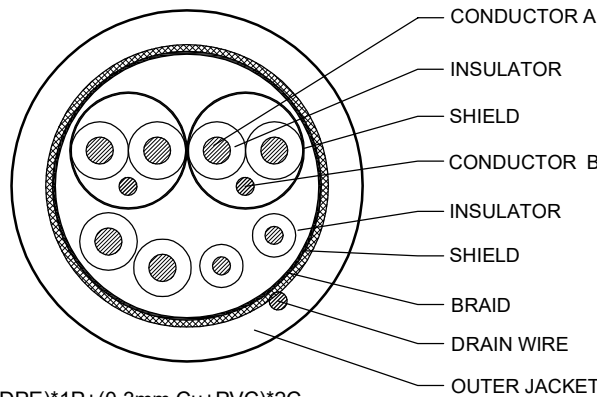


UNLESS OTHERWISE SPECIFIED,
ALL DIMENSIONS ARE IN METRIC.

Revised Details			
Item.	Description	Date	by
△			



SCALE 10:1
A-A



Item Name		Description
CONDUCTOR A	Material	0.5mm BCX6
CONDUCTOR B	Material	0.3mm BCX4
INSULATOR	Material	PE+PVC
SHIELD	Material	AL/FOIL
BRAID	Material	64/0.12ALMG
DRAIN WIRE	Material	0.25mm CCS
OUTER JACKET	COLOR	BLUE

Notes

- USB3.0 cable wire gauge:
28*24AWG{[1P*(0.5mm Cu+FPE)+D+AL]*2P+(0.3mm Cu+HDPE)*1P+(0.3mm Cu+PVC)*2C
+Al/foil+64/0.12ALMG+0.25mm CCS}+PVC5.0mm

- Hood: Injection molding type, blue in color.
- Cable electrical test:
100% open short & miss wire test.

	DES.	KENNY	Sep.01.17		
	CHK.			MDL	
	APPR.			PDT.TIT	USB3.0 male to female
GEMBIRD EUROPE B.V.		SCL.	1:1	SPEC	28*24AWG
Unit: MM		Page 1	Pages	CATEGORY	AUDIO VIDEO